

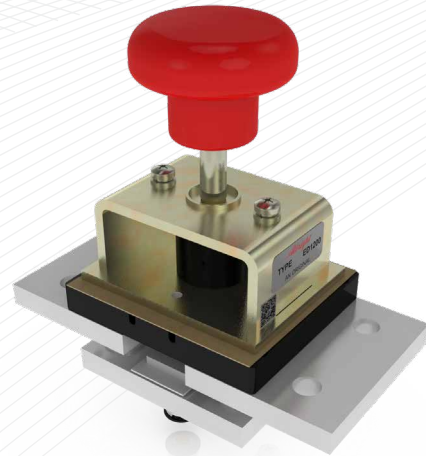
The ED1200 range of switches have been designed to provide a rapid means of disconnecting batteries or other power supplies in the event of serious electrical faults. Designed for use with uninterrupted high current battery powered systems such as those found in Telecommunication Power Distribution Units, all types are capable of safely rupturing full load battery currents in the event of an emergency.

- Uninterrupted current - no or infrequent load switching requirements (maintains a lower contact resistance).

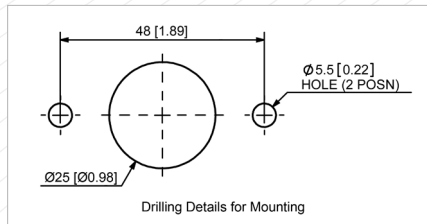
The ED1200 is a manually operated device with a snap action for both opening and closing of the main contacts. They have paralleled double breaking contacts with silver alloy tips which are weld resistant, hard wearing and have excellent conductivity. The ED1200 is easy to install (see drilling details) and can be mounted using the main terminal busbars or secured with supplied M5 posidrive mounting screws on the frame of the device.

Precautions:

The switch is to be used to rupture current in an emergency or as a no-load isolator. **Do not use as a regular On-Load Switching Device.**



ED1200



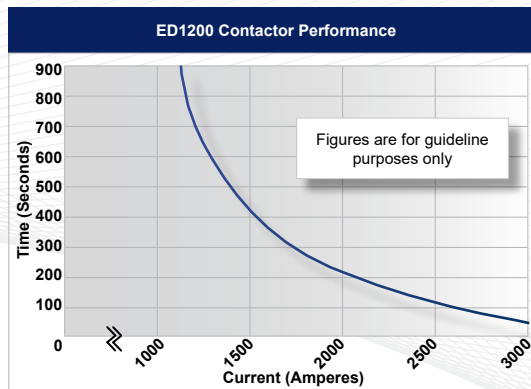
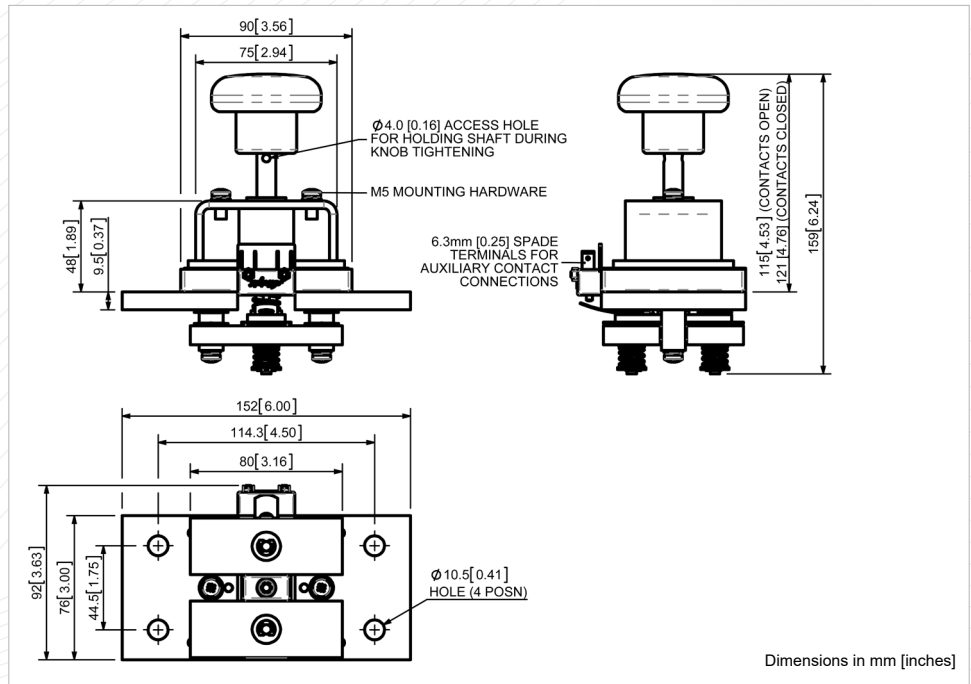
Drilling Details for Mounting

| Application | Uninterrupted |
|---|--|
| Thermal Current Rating (I _{th}) | 1200A |
| Intermittent Current Rating: | |
| 30% Duty | 2190A |
| 40% Duty | 1895A |
| 50% Duty | 1695A |
| 60% Duty | 1550A |
| 70% Duty | 1435A |
| Rated Fault Current Breaking Capacity (I _{cn}) Resistive Load: (in accordance with UL508*) | |
| ED1200 | 1800A at 60v D.C. |
| Maximum Recommended Contact Voltages (U _e): | |
| ED1200 | 60V D.C. |
| Typical Voltage Drop per pole across New Contacts at 1200A | 50mV |
| Mechanical Durability | >10,000 Cycles |
| Operating Ambient Temperature | - 40°C to + 60°C |
| Guideline Contactor Weight: | |
| ED1200 | 2000 gms |
| Advised Connection Sizes for Maximum Continuous Current | |
| Copper busbar | 722mm ² [1.12 inch ²] |

Key: ▲ = Uninterrupted

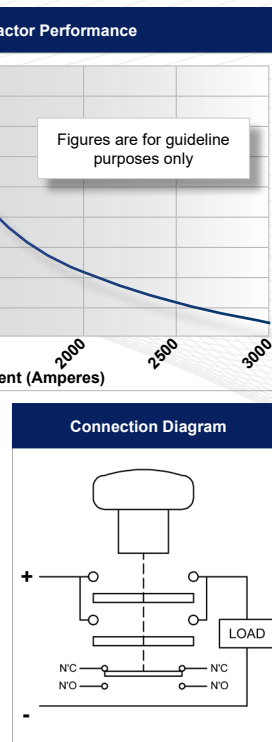
Note: Where applicable values shown are at 20°C

* Please check our web site for product UL status



Contact Performance Key:

— Uninterrupted Current



| ED1200 Available Options | | |
|-------------------------------------|---|--------|
| General | | Suffix |
| Auxiliary Contacts | ○ | A |
| Auxiliary Contacts - V3 | X | |
| Magnetic Blowouts† | X | |
| Magnetic Blowouts - High Powered† | X | |
| Mounting Brackets | X | |
| Closed Contact Housing | X | |
| Environmentally Protected IP66 | X | |
| EE Type (Steel Shroud) | X | |
| Lockable | X | |
| Contacts | | |
| Large Tips | X | |
| Textured Tips | X | |
| Silver Plating (fitted as standard) | ○ | |

Key: Optional ○ Standard ● Not Available X

† Connections become polarity sensitive

- Performance data provided should be used as a guide only. Some de-rating or variation from figures may be necessary according to application
- Thermal current ratings stated are dependant upon the size of conductor being used
- For further technical advice email: technical@albrightinternational.com
- Albright reserve the right to change data without prior notice